

Telescopic slides

with partial extension, load capacity up to 780 N

SPECIFICATION

Type

Type **E**: with rubber stop, locking device in back

Identification no.

No. **3**: Fastening using through-holes on external slide and counter-sunk holes on inner slide

Slide profile

Steel, zinc plated, blue passivated **ZB**

Bearings

Roller bearing steel, hardened

Ball cage

Steel, zinc plated

Rubber stop

Plastic / Elastomer

Operating temperature -20 °C to 100 °C

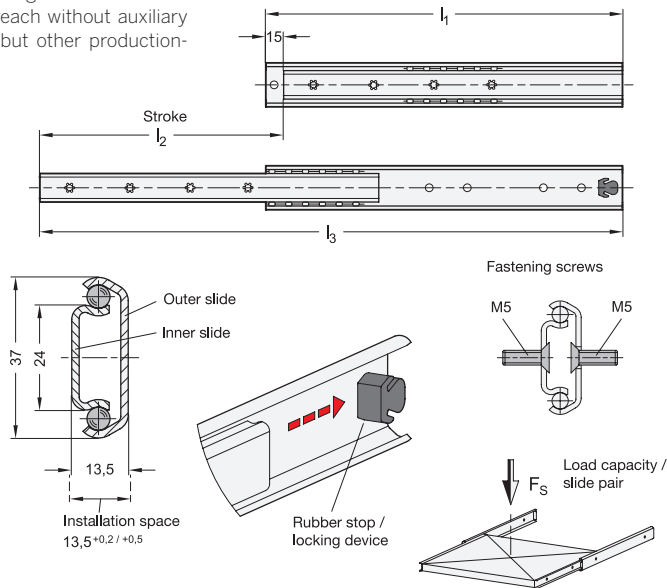
INFORMATION

Telescopic slides GN 1404 are installed vertically and in pairs. The stroke reaches $\approx 75\%$ of the nominal length l_1 (partial extension). The rubber stops of type E dampen the impact of the slide in the two end positions and takes on the locking function of the back stop position. This feature is noticeable through a slight resistance on opening and closing. If larger static or dynamic loads occur in the direction of extension, they should be absorbed by external stop elements. The telescopic slides are delivered in **pairs**. They can be installed on the extension on either the left or right side due to the mechanics. All mounting holes are easy to reach without auxiliary holes. Only the mounting holes are shown, but other production-related holes may be present.



ON REQUEST

- other lengths and hole spacing
- other attachment options
- with rubber stop (without locking device)
- other surfaces
- with support bracket
- with retraction dampening, external

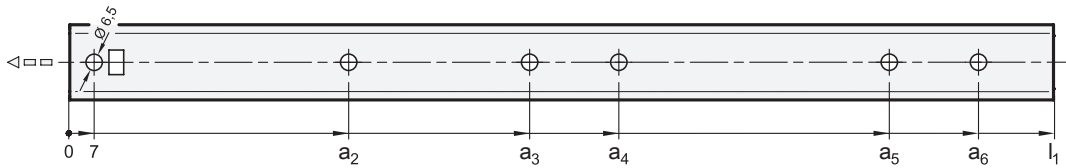


GN 1404

Description	l_1	$l_2 + 2l_1 - 2$	l_3	F_s per pair in N at 10,000 cycles	F_s per pair in N at 100,000 cycles	
GN 1404-300-E-3-ZB	300*	205	490	780	600	900
GN 1404-350-E-3-ZB	350*	239	574	630	490	1040
GN 1404-400-E-3-ZB	400*	289	674	540	420	1200
GN 1404-450-E-3-ZB	450*	339	774	460	360	1340
GN 1404-500-E-3-ZB	500*	373	858	540	420	1400
GN 1404-600-E-3-ZB	600*	457	1042	560	430	1760
GN 1404-700-E-3-ZB	700*	541	1226	560	430	2150

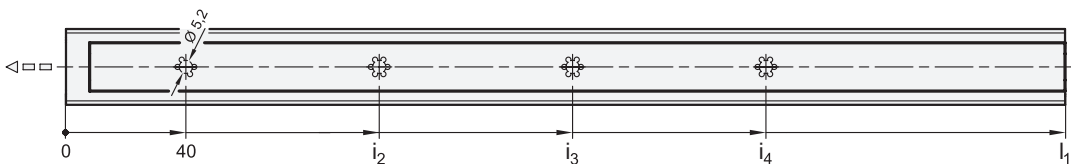
* The telescopic slides are delivered in pairs.

Mounting holes - Outer slide



l1	a2	a3	a4	a5	a6
300	135	199	231	-	-
350	135	231	263	-	-
400	135	295	327	-	-
450	135	327	359	-	-
500	167	295	327	391	423
600	167	359	391	487	519
700	199	391	423	583	615

Mounting holes - Inner slide



l1	i2	i3	i4
300	72	136	168
350	104	168	200
400	104	200	264
450	104	200	296
500	136	232	328
600	168	296	424
700	168	328	520

Fastening screws

For the said loading forces F_s to be absorbed reliably in the surrounding structure, all available through-holes of the outer and inner slide must be used. Failure to use fastening screws reduced the specified load capacity accordingly. The following screws can be used for mounting:

Designation - standard	Outer slide	Inner slide
Countersunk screw, Phillips DIN 965	M 5	M 5
Countersunk screw, Phillips DIN 7997	Size 5	Size 4.5

